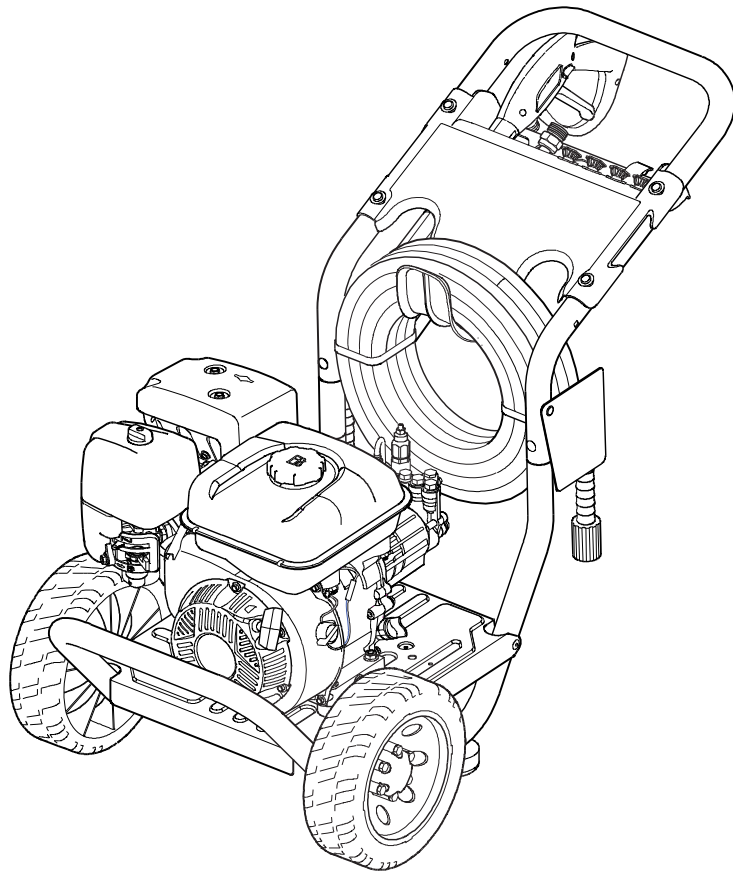




Illustrated Parts List

Pressure Washer / Lavadora de Presión



This pressure washer is rated in accordance to the Pressure Washer Manufacture Association (PWMA) Standard PW101 (Testing and Rating Performance of Pressure Washers).

Questions? Help is just a moment away!
Preguntas? La ayuda es justa un momento lejos!
Call: Pressure Washer Helpline

Llame: Línea Directa del Lavadora a Presión - 1-800-743-4115 M-F 8-5 CT

Model / Modelo

| Mfg. No. | Description / Descripción |
|-----------------|----------------------------------|
| 020655-00 | 3,200 PSI Briggs & Stratton |

Manual Part No. 1759529

Revision -
Rev. Date: 1/5/2016

Not for
Reproduction

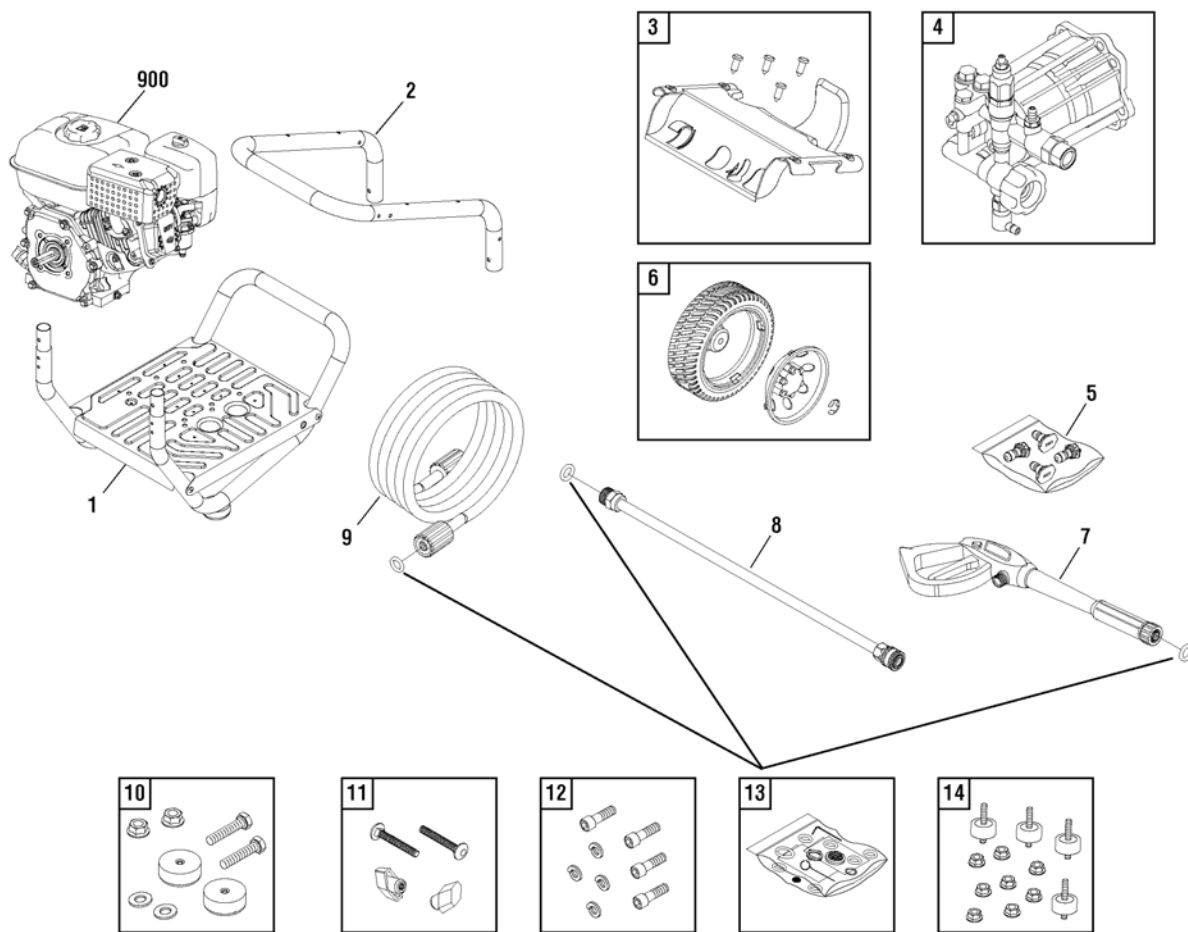
| PRODUCT COMPONENTS | PAGES |
|---|--------------------------|
| Main Unit | 4 |
| Pump | 5 |
| Torque Specification Chart | Inside Back Cover |

Not for
Reproduction

Main Unit

80017928

NOTE: Unless noted otherwise, use the standard hardware torque specification chart.



| REF. | PART NO. | DESCRIPTION | REF. | PART NO. | DESCRIPTION |
|------|------------|-------------------|------|----------|---------------------------------|
| 1 | 709546 | BASE NEW | 11 | B2203GS | KIT-HARDWARE HANDLE |
| 2 | 201499BJGS | HANDLE | 12 | 192131GS | KIT-HARDWARE PUMP MOUNTING |
| 3 | 709533 | BILLBOARD NEW | 13 | 705001 | KIT-O-RING |
| -- | B1797GS | CLIP | 14 | 192134GS | KIT-VIBRATION MOUNT |
| 4 | 318112GS | PUMP | 900 | ---- | ENGINE |
| 5 | 708801 | KIT-QC NOZZLE NEW | -- | 208538GS | DECAL-Spark (Not Illustrated) |
| -- | 195983XGS | NOZZLE-QC YELLOW | -- | 23139DGS | KEY (Not Illustrated) |
| -- | 195983RGS | NOZZLE-QC WHITE | -- | 705076 | HOSE-CHEMICAL (Not Illustrated) |
| -- | 195983AAGS | NOZZLE-QC RED | -- | 201314GS | AXLE (Not Illustrated) |
| -- | 198841GS | NOZZLE-QC BLACK | -- | 317999GS | OIL (Not Illustrated) |
| 6 | 203083GS | KIT-WHEEL | -- | 707165 | TAG-WARNING (Not Illustrated) |
| -- | 200520GS | HUBCAP | -- | 6039 | PUMP SAVER (Optional Accessory) |
| -- | 704293 | E-RING | | | |
| 7 | 708807 | GUN | | | |
| 8 | 706595 | EXTENSION | | | |
| 9 | 709464 | HOSE | | | |
| 10 | 192553GS | MOUNT-VIBRATION | | | |

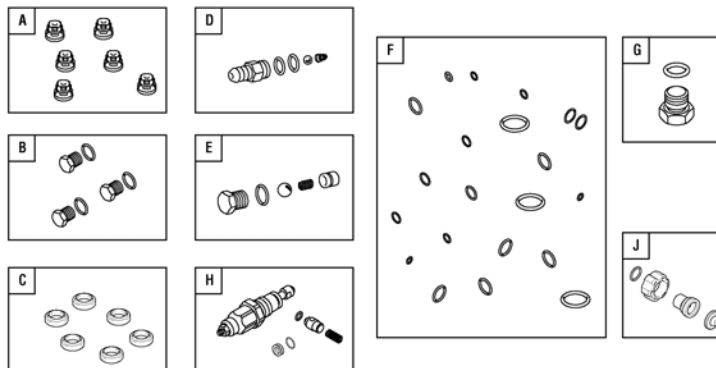
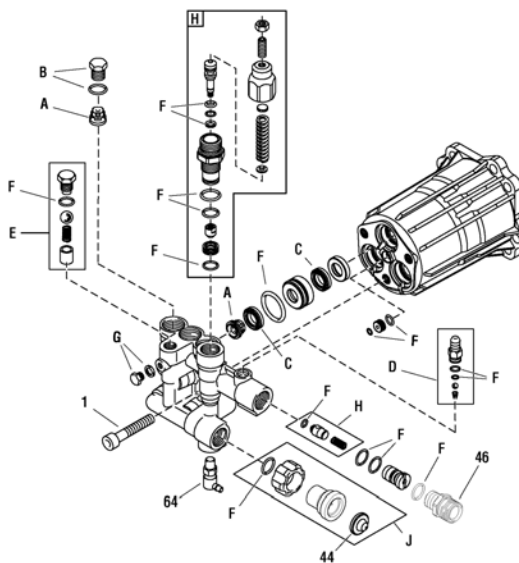
Footnotes

The above parts group applies to the following Mfg. Nos.:
020655-00

Pump

316932

NOTE: Unless noted otherwise, use the standard hardware torque specification chart.



| REF. | PART NO. | DESCRIPTION | REF. | PART NO. | DESCRIPTION |
|------|----------|--|------|----------|-------------|
| 1 | 204087GS | SCREW | | | |
| 44 | B2384GS | FILTER, Garden Hose | | | |
| 46 | 204083GS | FITTING | | | |
| 64 | 208673GS | VALVE, Thermal Relief | | | |
| A | 204082GS | * KIT, Check Valve | | | |
| B | 317056GS | * KIT, Plug | | | |
| C | 204084GS | * KIT, Water Seal | | | |
| D | 317787GS | * KIT, Chemical Injector | | | |
| E | 317788GS | * KIT, Easy Start | | | |
| F | 317843GS | * KIT, O-Ring | | | |
| G | 200350GS | SCREW, Grub | | | |
| H | 706610 | * KIT, Unloader | | | |
| J | 204085GS | * KIT, Water Inlet | | | |
| -- | 6039 | PUMP SAVER (Optional Accessory - Not Included) | | | |

Footnotes

* Kit includes all parts shown in box.

The above parts group applies to the following Mfg. Nos.:

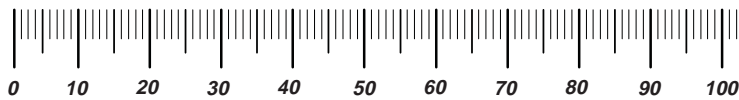
020655-00

Not for
Reproduction

Hardware Identification & Torque Specifications

| Torque Specification Chart | | | | | | | | |
|--|-----------|------|-----------|------|------------|------|------------|------|
| FOR STANDARD METRIC MACHINE HARDWARE (Tolerance ± 20%) | | | | | | | | |
| Property Class | 5.6 | | 8.8 | | 10.9 | | 12.9 | |
| | Class 5.6 | | Class 8.8 | | Class 10.9 | | Class 12.9 | |
| Size Of Hardware | in/lbs | | in/lbs | | in/lbs | | in/lbs | |
| | ft/lbs | Nm. | ft/lbs | Nm. | ft/lbs | Nm. | ft/lbs | Nm. |
| M3 | 5.88 | .56 | 13.44 | 1.28 | 19.2 | 1.80 | 22.92 | 2.15 |
| M4 | 13.44 | 1.28 | 30.72 | 2.90 | 43.44 | 4.10 | 52.56 | 4.95 |
| M5 | 26.4 | 2.50 | 60.96 | 5.75 | 5.97 | 8.10 | 7.15 | 9.7 |
| M6 | 44.64 | 4.3 | 7.3 | 9.9 | 10.3 | 14 | 12.1 | 16.5 |
| M7 | 5.2 | 7.1 | 12.1 | 16.5 | 16.9 | 23 | 19.9 | 27 |
| M8 | 7.7 | 10.5 | 17.7 | 24 | 25 | 34 | 29 | 40 |
| M10 | 15 | 21 | 35 | 48 | 50 | 67 | 59 | 81 |
| M12 | 26 | 36 | 61 | 83 | 86.2 | 117 | 103 | 140 |
| M14 | 42 | 58 | 101 | 132 | 136 | 185 | 162 | 220 |
| M16 | 64 | 88 | 147 | 200 | 210 | 285 | 250 | 340 |
| M18 | 89 | 121 | 202 | 275 | 287 | 390 | 346 | 470 |
| M20 | 126 | 171 | 290 | 390 | 405 | 550 | 486 | 660 |
| M22 | 169 | 230 | 390 | 530 | 559 | 745 | 656 | 890 |
| M24 | 217 | 295 | 497 | 375 | 708 | 960 | 840 | 1140 |
| M27 | 320 | 435 | 733 | 995 | 1032 | 1400 | 1239 | 1680 |
| M30 | 435 | 590 | 995 | 1350 | 1401 | 1900 | 1681 | 2280 |
| M33 | 590 | 800 | 1349 | 1830 | 1902 | 2580 | 2278 | 3090 |
| M36 | 759 | 1030 | 1740 | 2360 | 2441 | 3310 | 2935 | 3980 |
| M39 | 988 | 1340 | 2249 | 3050 | 3163 | 4290 | 3798 | 5150 |

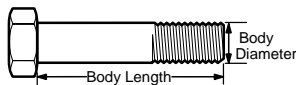
The guides and ruler furnished below are designed to help you select the appropriate hardware.



Nut, M8

Thread Diameter (mm)
Inside Diameter (in)
Threads per inch

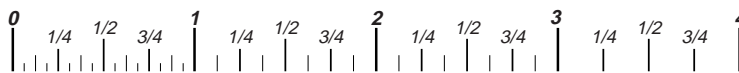
Nut, 1/2-16



Screw, M8- 1.25 x 25

Thread Diameter (mm)
Body Diameter
Distance between threads (mm)
Threads per inch
Body Length (mm)
Body Length (in)

Screw, 1/2- 16 x 2



Standard Hardware Sizing

When a washer or nut is identified as 1/2" (M8), this is the *Nominal size*, meaning the *inside diameter* is 1/2 inch (8mm metric thread diameter); if a second number is present it represents the *threads per inch* (distance between threads).

When bolt or capscrew is identified as 1/2 - 16 x 2" (M8 - 1.25 x 50), this means the *Nominal size*, or body diameter is 1/2 inch (8mm metric thread diameter), the second number, 16, represents the *threads per inch*, (1.25 thread diameter). The final number is the body length of the bolt or screw, 2 inches (50mm).

| Torque Specification Chart | | | | | | |
|---|-------------|-------|-------------|-------|-------------|---------|
| FOR STANDARD MACHINE HARDWARE (Tolerance ± 20%) | | | | | | |
| Hardware Grade | No Marks | | SAE Grade 5 | | SAE Grade 8 | |
| | SAE Grade 2 | | SAE Grade 5 | | SAE Grade 8 | |
| Size Of Hardware | in/lbs | | in/lbs | | in/lbs | |
| | ft/lbs | Nm. | ft/lbs | Nm. | ft/lbs | Nm. |
| 8-32 | 19 | 2.1 | 30 | 3.4 | 41 | 4.6 |
| 8-36 | 20 | 2.3 | 31 | 3.5 | 43 | 4.9 |
| 10-24 | 27 | 3.1 | 43 | 4.9 | 60 | 6.8 |
| 10-32 | 31 | 3.5 | 49 | 5.5 | 68 | 7.7 |
| 1/4-20 | 66 | 7.6 | 8 | 10.9 | 12 | 16.3 |
| 1/4-28 | 76 | 8.6 | 10 | 13.6 | 14 | 19.0 |
| 5/16-18 | 11 | 15.0 | 17 | 23.1 | 25 | 34.0 |
| 5/16-24 | 12 | 16.3 | 19 | 25.8 | 29 | 34.0 |
| 3/8-16 | 20 | 27.2 | 30 | 40.8 | 45 | 61.2 |
| 3/8-24 | 23 | 31.3 | 35 | 47.6 | 50 | 68.0 |
| 7/16-14 | 30 | 40.8 | 50 | 68.0 | 70 | 95.2 |
| 7/16-20 | 35 | 47.6 | 55 | 74.8 | 80 | 108.8 |
| 1/2-13 | 50 | 68.0 | 75 | 102.0 | 110 | 149.6 |
| 1/2-20 | 55 | 74.8 | 90 | 122.4 | 120 | 163.2 |
| 9/16-12 | 65 | 88.4 | 110 | 149.6 | 150 | 204.0 |
| 9/16-18 | 75 | 102.0 | 120 | 163.2 | 170 | 231.2 |
| 5/8-11 | 90 | 122.4 | 150 | 204.0 | 220 | 299.2 |
| 5/8-18 | 100 | 136 | 180 | 244.8 | 240 | 326.4 |
| 3/4-10 | 160 | 217.6 | 260 | 353.6 | 386 | 525.0 |
| 3/4-16 | 180 | 244.8 | 300 | 408.0 | 420 | 571.2 |
| 7/8-9 | 140 | 190.4 | 400 | 544.0 | 600 | 816.0 |
| 7/8-14 | 155 | 210.8 | 440 | 598.4 | 660 | 897.6 |
| 1-8 | 220 | 299.2 | 580 | 788.8 | 900 | 1,244.0 |
| 1-12 | 240 | 326.4 | 640 | 870.4 | 1,000 | 1,360.0 |

NOTES

- These torque values are to be used for all hardware excluding: locknuts, self-tapping screws, thread forming screws, sheet metal screws and socket head setscrews.
- Recommended seating torque values for locknuts:
 - for prevailing torque locknuts - use 65% of grade 5 torques.
 - for flange whizlock nuts and screws - use 135% of grade 5 torques.
- Unless otherwise noted on assembly drawings, all torque values must meet this specification.

Common Hardware Types

Hex Head Capscrew



Washer



Lockwasher

Carriage Bolt



Hex Nut

Wrench & Fastener Size Guide

| | | | | |
|----------------------------------|----------------------------------|----------------------------------|--|---------------------------------|
| 1/4" Bolt or Nut Wrench—7/16" | 5/16" Bolt or Nut Wrench—1/2" | 3/8" Bolt or Nut Wrench—9/16" | 7/16" Bolt or Nut Wrench (Bolt)—5/8" Wrench (Nut)—11/16" | 1/2" Bolt or Nut Wrench—3/4" |
| M6 Bolt or Nut Wrench—10mm | M8 Bolt or Nut Wrench—13mm | M10 Bolt or Nut Wrench—17mm | M12 Bolt or Nut Wrench—19mm | M14 Bolt or Nut Wrench—22mm |



Not for
Reproduction

Briggs & Stratton Power Products Group, LLC

Copyright© 2016 Briggs & Stratton Power Products Group, LLC. All rights reserved. No part of this page can be reproduced or transmitted in any form by any means without the express written permission of Briggs & Stratton Power Products Group, LLC.